

# W-Series, Low Profile Hexagon Torque Wrenches **ENERPAC**

▼ Shown: W4206X hexagon cassette with W4000PX drive unit



## Safety and Performance

- Superior strength to size ratio provides easy access to difficult to reach applications without sacrificing endurance
- 30° rotation angle and rapid return stroke provide fast operation
- Tough manifold design with added safety feature for enhanced operator safety.

## Simplicity

- Fast release drive unit enables rapid exchange of cassettes, no tools required
- Quick and easy disassembly for maintenance without special tools
- Drive units include robust handle which mounts on both sides of cassettes to allow for extra maneuverability.

## Versatility

- Available with optional enhanced tilt and swivel TSP300 manifold for horizontal and vertical maneuverability, with greater durability <sup>1)</sup>
- X-Edition drive units, cassettes and most accessories are compatible with standard edition tools <sup>1)</sup>
- Drive unit compatible with UltraSlim W-SL cassettes.

## Accuracy

- Constant torque output provides accuracy of  $\pm 3\%$  across full stroke.

<sup>1)</sup> TSP300 is designed for X-Edition tools only, and is not compatible with previous edition tools. For replacement components for existing tools, refer to repair sheet on [www.enerpac.com](http://www.enerpac.com)



### Two Handle Styles

Robust angled positioning handle comes standard with every W-Series (X-Edition) drive unit.

Compatible with W-Series (X-Edition) Cassettes	Model Nr. Angled positioning handles (standard)	Model Nr. Straight positioning handles (optional)
W2000X, W4000X	<b>SWH6A</b>	<b>SWH6S</b>
W8000X, W15000X	<b>SWH10A</b>	<b>SWH10S</b>
W22000X, W35000X	<b>SWH10EA <sup>2)</sup></b>	

<sup>2)</sup> SWH10EA is an eyebolt handle.



### TSP - Pro Series Swivel

The optional TSP300 tilt and swivel manifold with robust interlocking design provides 360° X-axis rotation and 160° Y-axis rotation.

#### How to Order <sup>1)</sup>

Factory fitted to W-Series (X-Edition) drive units: Insert a "P" prior to the "X" in the tool model number, example: **W2000PX**.

Order as an accessory using the model number: **TSP300**, which can be fitted to existing W-Series (X-Edition) drive units. Includes male and female couplers.

Page: **232**



### ATEX declared. Calibration certificate included

All W-Series X-edition hexagon cassettes are CE - ATEX declared and are shipped complete with a calibration certificate.

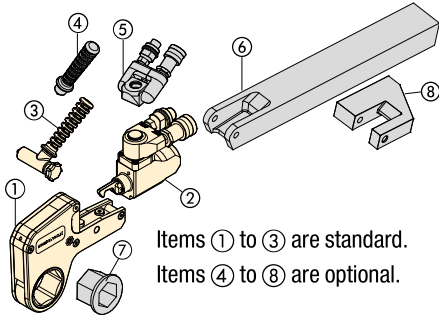


### Back-Up Spanners

To be used to stop the back nut from turning during make up or break out. Two hexagon sizes in one tool.

Page: **217**

# Double-Acting Hydraulic Hexagon Torque Wrenches, X-Edition



- ① Hexagon Cassette (pages 222-229)
- ② Drive Unit (page 221)
- ③ Angled Positioning Handle (page 220)
- ④ Straight Positioning Handle (page 220)
- ⑤ Pro Series Swivel (page 232)
- ⑥ Extended Reaction Arm (page 232)
- ⑦ Reducer Insert (pages 222-229)
- ⑧ Reaction Paddle (page 232)

Items ① to ③ are standard.  
Items ④ to ⑧ are optional.

## W Series X-Edition



Nominal Torque at 690 bar:

**47.454 Nm**

Hexagon Range:

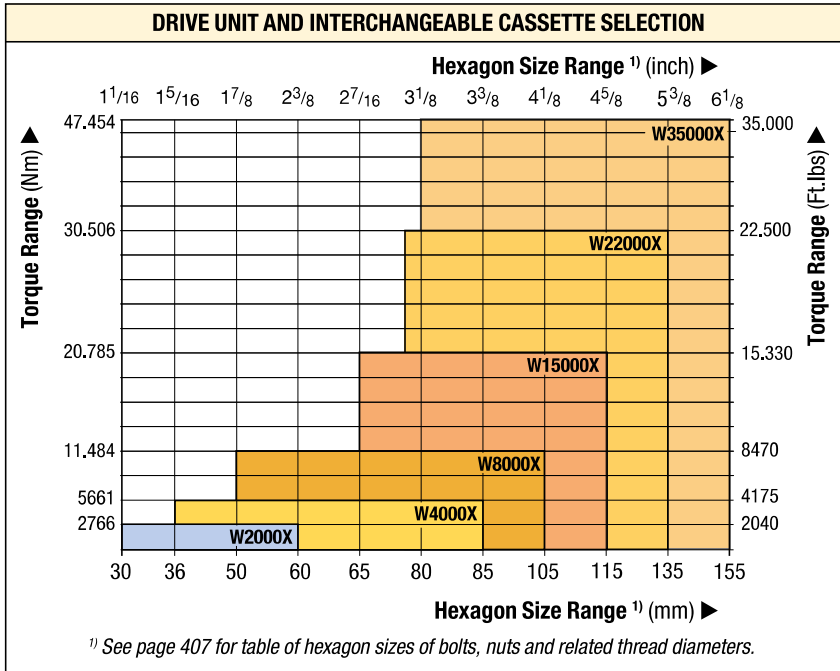
**30 - 155 mm / 1 1/16 - 6 1/8"**

Nose Radius:

**31 - 115 mm**

Maximum Operating Pressure:

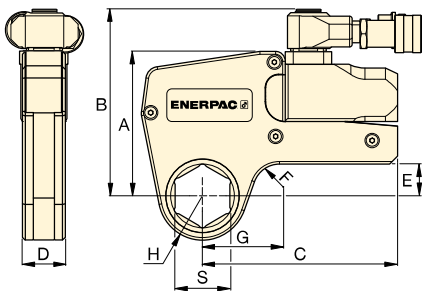
**690 bar**



### Torque Wrench Pump Selection Matrix

For optimum speed and performance see the torque wrench and pump matrix.

Page: **265**



These rigid steel wrenches with low profile interchangeable hexagon cassettes guarantee durability and maximum versatility in bolting applications. ▶

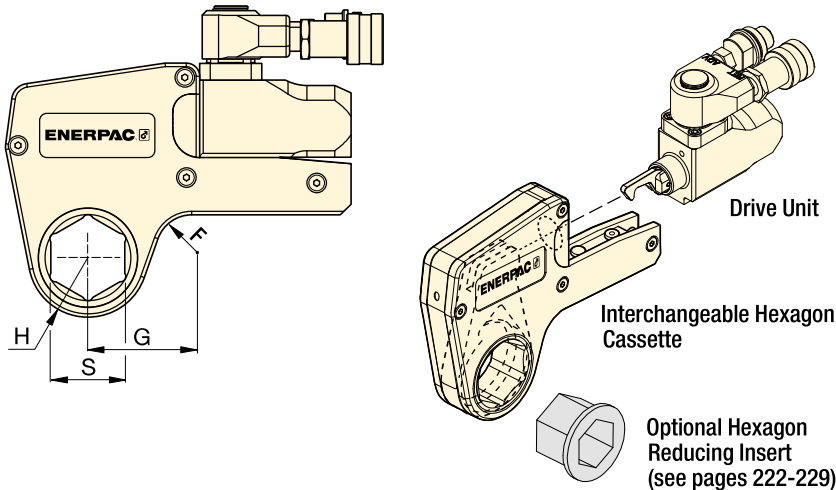


### ▼ SELECTION CHART

Hexagon Range *		Nominal Torque at 690 bar		Drive Unit Model Number **	Minimum Torque		Dimensions (mm) (see pages 222-229 for dimensions G, H and S)						Weight (drive unit without hexagon cassette) (kg)
(mm)	(inch)	(Nm)	(Ft.lbs)		(Nm)	(Ft.lbs)	A	B	C	D	E	F	
30 - 60	1 1/16 - 2 3/8	2766	2040	<b>W2000X</b>	276	204	109	141	148	32	24	20	1,4
36 - 85	1 5/16 - 3 3/8	5661	4175	<b>W4000X</b>	566	417	136	167	178	41	33	20	2,0
50 - 105	1 7/8 - 4 1/8	11.484	8470	<b>W8000X</b>	1148	847	172	205	208	53	42	25	3,0
65 - 115	2 7/16 - 4 5/8	20.785	15.330	<b>W15000X</b>	2078	1533	207	240	253	63	50	20	5,0
75 - 135	2 15/16 - 5 3/8	30.506	22.500	<b>W22000X</b>	3050	2250	227	266	297	77	48	35	7,7
80 - 155	3 1/8 - 6 1/8	47.454	35.000	<b>W35000X</b>	4745	3500	268	301	345	91	69-73	50	11,4

\* With in-line reaction foot.

\*\* To order a W-series wrench fitted with the TSP swivel, suffix the model number with "P". Example: **W2000PX**.



## W Series X-Edition



Nominal Torque at 690 bar:

**2766 Nm**

Hexagon Range:

**1<sup>1</sup>/<sub>16</sub> - 2<sup>3</sup>/<sub>8</sub> inch**

Maximum Operating Pressure:

**690 bar**



### Metric Sizes

For metric sizes of hexagon cassettes and reducer inserts see:

Page: **228**



### Hexagon Bolt and Nut Sizes

See the table for hexagon sizes of bolts, nuts and related thread diameters.

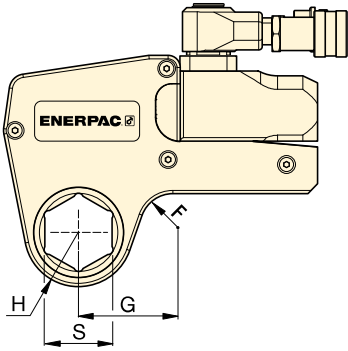
Page: **407**

## ▼ SELECTION CHART

Drive Unit Model Number	Hexagon Size <sup>1)</sup>	Nose Radius	Dim.	Model Number	Weight (kg)	Hexagon Reducer		Hexagon Reducer		Hexagon Reducer	
						Hexagon Reducer (inch)	Model Number	Hexagon Reducer (inch)	Model Number	Hexagon Reducer (inch)	Model Number
W2000X	1 <sup>1</sup> / <sub>16</sub>	31,0	53,7	W2101X	2,1	-	-	-	-	-	-
	1 <sup>1</sup> / <sub>8</sub>	31,0	53,7	W2102X	2,1	-	-	-	-	-	-
	1 <sup>3</sup> / <sub>16</sub>	31,0	53,7	W2103X	2,1	-	-	-	-	-	-
	1 <sup>1</sup> / <sub>4</sub>	31,0	53,7	W2104X	2,1	-	-	-	-	-	-
	1 <sup>5</sup> / <sub>16</sub>	31,0	53,7	W2105X	2,1	-	-	-	-	-	-
	1 <sup>3</sup> / <sub>8</sub>	31,0	53,7	W2106X	2,1	-	-	-	-	-	-
	1 <sup>7</sup> / <sub>16</sub>	31,0	53,7	W2107X	2,1	1 <sup>7</sup> / <sub>16</sub> - 1 <sup>1</sup> / <sub>8</sub>	W2107R102	-	-	-	-
	1 <sup>1</sup> / <sub>2</sub>	33,5	58,2	W2108X	2,2	-	-	-	-	-	-
	1 <sup>9</sup> / <sub>16</sub>	33,5	58,2	W2109X	2,2	-	-	-	-	-	-
	1 <sup>5</sup> / <sub>8</sub>	33,5	58,2	W2110X	2,2	1 <sup>5</sup> / <sub>8</sub> - 1 <sup>1</sup> / <sub>4</sub>	W2110R104	1 <sup>5</sup> / <sub>8</sub> - 1 <sup>3</sup> / <sub>16</sub>	W2110R103	-	-
	1 <sup>11</sup> / <sub>16</sub>	36,5	60,5	W2111X	2,2	-	-	-	-	-	-
	1 <sup>3</sup> / <sub>4</sub>	36,5	60,5	W2112X	2,2	-	-	-	-	-	-
	1 <sup>13</sup> / <sub>16</sub>	36,5	60,5	W2113X	2,2	1 <sup>13</sup> / <sub>16</sub> - 1 <sup>7</sup> / <sub>16</sub>	W2113R107	1 <sup>13</sup> / <sub>16</sub> - 1 <sup>1</sup> / <sub>4</sub>	W2113R104	-	-
	1 <sup>7</sup> / <sub>8</sub>	39,0	63,1	W2114X	2,2	-	-	-	-	-	-
	1 <sup>15</sup> / <sub>16</sub>	39,0	63,1	W2115X	2,2	-	-	-	-	-	-
	2	39,0	63,1	W2200X	2,2	2 - 1 <sup>5</sup> / <sub>8</sub>	W2200R110	2 - 1 <sup>7</sup> / <sub>16</sub>	W2200R107	-	-
	2 <sup>1</sup> / <sub>16</sub>	41,8	68,6	W2201X	2,3	-	-	-	-	-	-
	2 <sup>1</sup> / <sub>8</sub>	41,8	68,6	W2202X	2,3	-	-	-	-	-	-
	2 <sup>3</sup> / <sub>16</sub>	41,8	68,6	W2203X	2,3	2 <sup>3</sup> / <sub>16</sub> - 1 <sup>13</sup> / <sub>16</sub>	W2203R113	2 <sup>3</sup> / <sub>16</sub> - 1 <sup>5</sup> / <sub>8</sub>	W2203R110	2 <sup>3</sup> / <sub>16</sub> - 1 <sup>7</sup> / <sub>16</sub>	W2203R107
	2 <sup>1</sup> / <sub>4</sub>	44,5	64,8	W2204X	2,2	-	-	-	-	-	-
2 <sup>5</sup> / <sub>16</sub>	44,5	64,8	W2205X	2,2	-	-	-	-	-	-	
2 <sup>3</sup> / <sub>8</sub>	44,5	64,8	W2206X	2,2	2 <sup>3</sup> / <sub>8</sub> - 2	W2206R200	2 <sup>3</sup> / <sub>8</sub> - 1 <sup>7</sup> / <sub>8</sub>	W2206R114	2 <sup>3</sup> / <sub>8</sub> - 1 <sup>13</sup> / <sub>16</sub>	W2206R113	
-	-	-	-	-	-	2 <sup>3</sup> / <sub>8</sub> - 1 <sup>1</sup> / <sub>2</sub>	W2206R108	2 <sup>3</sup> / <sub>8</sub> - 1 <sup>7</sup> / <sub>16</sub>	W2206R107	2 <sup>3</sup> / <sub>8</sub> - 1 <sup>5</sup> / <sub>16</sub>	W2206R110

<sup>1)</sup> See page 407 for table of hexagon sizes of bolts, nuts and related thread diameters.

# W4000X-Series, Inch-Cassettes & Reducer Inserts



Nominal Torque at 690 bar:

**5661 Nm**

Hexagon Range:

**1<sup>5</sup>/<sub>16</sub> - 3<sup>3</sup>/<sub>8</sub> inch**

Maximum Operating Pressure:

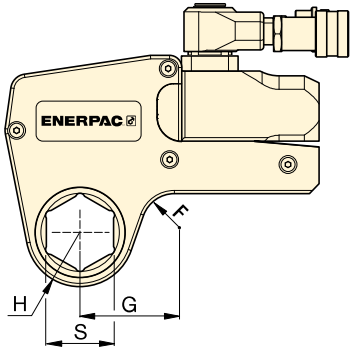
**690 bar**

**W**  
Series  
X-Edition



Drive Unit Model Number	Hexagon Size <sup>1)</sup>	Nose Radius	Dim.	Model Number	Weight	Hexagon Reducer		Hexagon Reducer		Hexagon Reducer	
						Hexagon Reducer (inch)	Model Number	Hexagon Reducer (inch)	Model Number	Hexagon Reducer (inch)	Model Number
W4000X	1 <sup>5</sup> / <sub>16</sub>	37,0	61,0	W4105X	3,7	-	-	-	-	-	-
	1 <sup>3</sup> / <sub>8</sub>	37,0	61,0	W4106X	3,7	-	-	-	-	-	-
	1 <sup>7</sup> / <sub>16</sub>	37,0	61,0	W4107X	3,7	-	-	-	-	-	-
	1 <sup>1</sup> / <sub>2</sub>	37,0	61,0	W4108X	3,7	-	-	-	-	-	-
	1 <sup>9</sup> / <sub>16</sub>	37,0	61,0	W4109X	3,7	-	-	-	-	-	-
	1 <sup>5</sup> / <sub>8</sub>	37,0	61,0	W4110X	3,7	-	-	-	-	-	-
	1 <sup>11</sup> / <sub>16</sub>	39,5	64,0	W4111X	3,8	-	-	-	-	-	-
	1 <sup>3</sup> / <sub>4</sub>	39,5	64,0	W4112X	3,8	-	-	-	-	-	-
	1 <sup>13</sup> / <sub>16</sub>	39,5	64,0	W4113X	3,8	-	-	-	-	-	-
	1 <sup>7</sup> / <sub>8</sub>	41,5	66,7	W4114X	3,9	-	-	-	-	-	-
	1 <sup>15</sup> / <sub>16</sub>	41,5	66,7	W4115X	3,9	-	-	-	-	-	-
	2	41,5	66,7	W4200X	3,9	2 - 1 <sup>7</sup> / <sub>16</sub>	W4200R107	-	-	-	-
	2 <sup>1</sup> / <sub>16</sub>	44,0	73,4	W4201X	4,0	-	-	-	-	-	-
	2 <sup>1</sup> / <sub>8</sub>	44,0	73,4	W4202X	4,0	-	-	-	-	-	-
	2 <sup>3</sup> / <sub>16</sub>	44,0	73,4	W4203X	4,0	2 <sup>3</sup> / <sub>16</sub> - 1 <sup>5</sup> / <sub>8</sub>	W4203R110	2 <sup>3</sup> / <sub>16</sub> - 1 <sup>7</sup> / <sub>16</sub>	W4203R107	2 <sup>3</sup> / <sub>16</sub> - 1 <sup>1</sup> / <sub>4</sub>	W4203R104
	2 <sup>1</sup> / <sub>4</sub>	46,5	70,6	W4204X	4,1	-	-	-	-	-	-
	2 <sup>5</sup> / <sub>16</sub>	46,5	70,6	W4205X	4,1	-	-	-	-	-	-
	2 <sup>3</sup> / <sub>8</sub>	46,5	70,6	W4206X	4,1	2 <sup>3</sup> / <sub>8</sub> - 2	W4206R200	2 <sup>3</sup> / <sub>8</sub> - 1 <sup>13</sup> / <sub>16</sub>	W4206R113	2 <sup>3</sup> / <sub>8</sub> - 1 <sup>7</sup> / <sub>16</sub>	W4206R107
	-	-	-	-	-	2 <sup>3</sup> / <sub>8</sub> - 1 <sup>3</sup> / <sub>8</sub>	W4206R106	-	-	-	-
	2 <sup>7</sup> / <sub>16</sub>	49,5	76,2	W4207X	4,1	2 <sup>7</sup> / <sub>16</sub> - 2	W4207R200	-	-	-	-
	2 <sup>1</sup> / <sub>2</sub>	49,5	76,2	W4208X	4,1	2 <sup>1</sup> / <sub>2</sub> - 2	W4208R200	2 <sup>1</sup> / <sub>2</sub> - 1 <sup>7</sup> / <sub>16</sub>	W4208R113	2 <sup>1</sup> / <sub>2</sub> - 2 <sup>1</sup> / <sub>16</sub>	W4208R201
	2 <sup>9</sup> / <sub>16</sub>	49,5	76,2	W4209X	4,1	2 <sup>9</sup> / <sub>16</sub> - 2 <sup>3</sup> / <sub>16</sub>	W4209R203	2 <sup>9</sup> / <sub>16</sub> - 2 <sup>1</sup> / <sub>8</sub>	W4209R202	2 <sup>9</sup> / <sub>16</sub> - 2 <sup>1</sup> / <sub>16</sub>	W4209R201
	-	-	-	-	-	2 <sup>9</sup> / <sub>16</sub> - 2	W4209R200	2 <sup>9</sup> / <sub>16</sub> - 1 <sup>13</sup> / <sub>16</sub>	W4209R113	-	-
	2 <sup>5</sup> / <sub>8</sub>	52,5	78,3	W4210X	4,2	-	-	-	-	-	-
	2 <sup>11</sup> / <sub>16</sub>	52,5	78,3	W4211X	4,2	-	-	-	-	-	-
	2 <sup>3</sup> / <sub>4</sub>	52,5	78,3	W4212X	4,2	2 <sup>3</sup> / <sub>4</sub> - 2 <sup>3</sup> / <sub>8</sub>	W4212R206	2 <sup>3</sup> / <sub>4</sub> - 2 <sup>3</sup> / <sub>16</sub>	W4212R203	2 <sup>3</sup> / <sub>4</sub> - 2 <sup>1</sup> / <sub>8</sub>	W4212R202
	2 <sup>13</sup> / <sub>16</sub>	55,3	81,6	W4213X	4,3	-	-	-	-	-	-
	2 <sup>7</sup> / <sub>8</sub>	55,3	81,6	W4214X	4,3	-	-	-	-	-	-
	2 <sup>15</sup> / <sub>16</sub>	55,3	81,6	W4215X	4,3	2 <sup>15</sup> / <sub>16</sub> - 2 <sup>9</sup> / <sub>16</sub>	W4215R209	2 <sup>15</sup> / <sub>16</sub> - 2 <sup>3</sup> / <sub>8</sub>	W4215R206	2 <sup>15</sup> / <sub>16</sub> - 2 <sup>3</sup> / <sub>16</sub>	W4215R203
	-	-	-	-	-	2 <sup>15</sup> / <sub>16</sub> - 2	W4215R200	-	-	-	-
	3	58,5	83,5	W4300X	4,4	3 - 2 <sup>9</sup> / <sub>16</sub>	W4300R203	-	-	-	-
	3 <sup>1</sup> / <sub>16</sub>	58,5	83,5	W4301X	4,4	-	-	-	-	-	-
	3 <sup>1</sup> / <sub>8</sub>	58,5	83,5	W4302X	4,4	3 <sup>1</sup> / <sub>8</sub> - 2 <sup>3</sup> / <sub>4</sub>	W4302R212	3 <sup>1</sup> / <sub>8</sub> - 2 <sup>9</sup> / <sub>16</sub>	W4302R209	3 <sup>1</sup> / <sub>8</sub> - 2 <sup>3</sup> / <sub>8</sub>	W4302R206
	-	-	-	-	-	3 <sup>1</sup> / <sub>8</sub> - 2 <sup>5</sup> / <sub>16</sub>	W4302R205	3 <sup>1</sup> / <sub>8</sub> - 2 <sup>1</sup> / <sub>4</sub>	W4302R204	3 <sup>1</sup> / <sub>8</sub> - 2 <sup>3</sup> / <sub>16</sub>	W4302R203
	-	-	-	-	-	3 <sup>1</sup> / <sub>8</sub> - 2 <sup>3</sup> / <sub>16</sub>	W4302R203	3 <sup>1</sup> / <sub>8</sub> - 2 <sup>1</sup> / <sub>8</sub>	W4302R202	3 <sup>1</sup> / <sub>8</sub> - 2	W4302R200
	3 <sup>3</sup> / <sub>16</sub>	62,0	85,5	W4303X	4,5	-	-	-	-	-	-
3 <sup>1</sup> / <sub>4</sub>	62,0	85,5	W4304X	4,5	-	-	-	-	-	-	
3 <sup>5</sup> / <sub>16</sub>	62,0	85,5	W4305X	4,5	-	-	-	-	-	-	
3 <sup>3</sup> / <sub>8</sub>	62,0	85,5	W4306X	4,5	-	-	-	-	-	-	

<sup>1)</sup> See page 407 for table of hexagon sizes of bolts, nuts and related thread diameters.



Nominal Torque at 690 bar:

**11.484 Nm**

Hexagon Range:

**1 7/8 - 4 1/8 inch**

Maximum Operating Pressure:

**690 bar**

**W**  
Series  
X-Edition

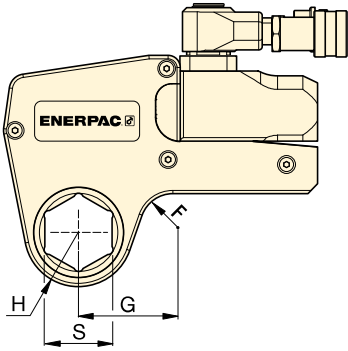


▼ SELECTION CHART

Drive Unit Model Number	Hexagon Size <sup>1)</sup>	Nose Radius	Dim.	Model Number	Weight (kg)	Hexagon Reducer		Hexagon Reducer		Hexagon Reducer	
						Hexagon Reducer (inch)	Model Number	Hexagon Reducer (inch)	Model Number	Hexagon Reducer (inch)	Model Number
W8000X	1 7/8	45,0	78,2	W8114X	8,1	—	—	—	—	—	—
	1 15/16	45,0	78,2	W8115X	8,1	—	—	—	—	—	—
	2	45,0	78,2	W8200X	8,1	—	—	—	—	—	—
	2 1/16	48,0	80,0	W8201X	8,1	—	—	—	—	—	—
	2 1/8	48,0	80,0	W8202X	8,1	—	—	—	—	—	—
	2 3/16	48,0	80,0	W8203X	8,1	—	—	—	—	—	—
	2 1/4	51,0	82,5	W8204X	8,1	—	—	—	—	—	—
	2 5/16	51,0	82,5	W8205X	8,1	—	—	—	—	—	—
	2 3/8	51,0	82,5	W8206X	8,1	—	—	—	—	—	—
	2 7/16	52,5	85,9	W8207X	8,1	—	—	—	—	—	—
	2 1/2	52,5	85,9	W8208X	8,1	—	—	—	—	—	—
	2 9/16	52,5	85,9	W8209X	8,1	2 9/16 - 2	W8209R200	—	—	—	—
	2 5/8	56,0	84,8	W8210X	8,1	—	—	—	—	—	—
	2 11/16	56,0	84,8	W8211X	7,9	—	—	—	—	—	—
	2 3/4	56,0	84,8	W8212X	7,9	2 3/4 - 2 3/16	W8212R203	—	—	—	—
	2 13/16	58,0	85,0	W8213X	7,9	—	—	—	—	—	—
	2 7/8	58,0	85,0	W8214X	7,9	—	—	—	—	—	—
	2 15/16	58,0	85,0	W8215X	7,9	2 15/16 - 2 3/8	W8215R206	2 15/16 - 2 3/16	W8215R203	—	—
	3	60,5	89,5	W8300X	8,0	—	—	—	—	—	—
	3 1/16	60,5	89,5	W8301X	8,0	—	—	—	—	—	—
	3 1/8	60,5	89,5	W8302X	8,0	3 1/8 - 2 9/16	W8302R209	3 1/8 - 2 3/8	W8302R206	3 1/8 - 2 3/16	W8302R203
	—	—	—	—	—	3 1/8 - 2	W8302R200	—	—	—	—
	3 3/16	66,0	92,2	W8303X	8,2	—	—	—	—	—	—
	3 1/4	66,0	92,2	W8304X	8,2	—	—	—	—	—	—
	3 5/16	66,0	92,2	W8305X	8,2	—	—	—	—	—	—
	3 3/8	66,0	92,2	W8306X	8,2	—	—	—	—	—	—
	3 7/16	66,0	92,2	W8307IX	8,2	—	—	—	—	—	—
	3 1/2	66,0	92,2	W8308X	8,2	3 1/2 - 3	W8308R300	3 1/2 - 2 15/16	W8308R215	3 1/2 - 2 3/4	W8308R212
	3 9/16	74,0	102,9	W8309X	8,8	—	—	—	—	—	—
	3 5/8	74,0	102,9	W8310X	8,8	—	—	—	—	—	—
	3 11/16	74,0	102,9	W8311X	8,8	—	—	—	—	—	—
	3 3/4	74,0	102,9	W8312X	8,8	3 3/4 - 3 1/8	W8312R302	3 3/4 - 2 15/16	W8312R215	3 3/4 - 2 3/4	W8312R212
3 13/16	74,0	102,9	W8313X	8,8	—	—	—	—	—	—	
3 7/8	74,0	102,9	W8314X	8,8	3 7/8 - 3 1/8	W8314R302	3 7/8 - 2 15/16	W8314R215	—	—	
3 15/16	79,5	110,0	W8315X	9,3	—	—	—	—	—	—	
4	79,5	110,0	W8400X	9,3	—	—	—	—	—	—	
4 1/16	79,5	110,0	W8401IX	9,3	—	—	—	—	—	—	
4 1/8	79,5	110,0	W8402X	9,3	—	—	—	—	—	—	

<sup>1)</sup> See page 407 for table of hexagon sizes of bolts, nuts and related thread diameters.

# W15000X-Series, Inch-Cassettes & Reducer Inserts



Nominal Torque at 690 bar:

**20.785 Nm**

Hexagon Range:

**2<sup>1</sup>/<sub>8</sub> - 4<sup>5</sup>/<sub>8</sub> inch**

Maximum Operating Pressure:

**690 bar**

**W**  
Series  
X-Edition



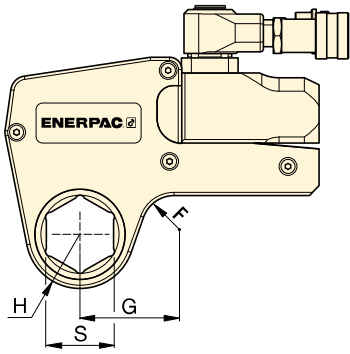
▼ SELECTION CHART

Drive Unit Model Number	Hexagon Size <sup>1)</sup>	Nose Radius	Dim.	Model Number	Weight	Hexagon Reducer		Hexagon Reducer		Hexagon Reducer	
						Hexagon Reducer (inch)	Model Number	Hexagon Reducer (inch)	Model Number	Hexagon Reducer (inch)	Model Number
W15000X	2 <sup>7</sup> / <sub>16</sub>	59,0	88,6	W15207X	13,6	–	–	–	–	–	–
	2 <sup>1</sup> / <sub>2</sub>	59,0	88,6	W15208X	13,6	–	–	–	–	–	–
	2 <sup>9</sup> / <sub>16</sub>	59,0	88,6	W15209X	13,6	–	–	–	–	–	–
	2 <sup>5</sup> / <sub>8</sub>	59,0	88,6	W15210X	13,6	–	–	–	–	–	–
	2 <sup>11</sup> / <sub>16</sub>	59,0	88,6	W15211X	13,6	–	–	–	–	–	–
	2 <sup>3</sup> / <sub>4</sub>	59,0	88,6	W15212X	13,6	–	–	–	–	–	–
	2 <sup>13</sup> / <sub>16</sub>	62,0	90,5	W15213X	13,7	–	–	–	–	–	–
	2 <sup>7</sup> / <sub>8</sub>	62,0	90,5	W15214X	13,7	–	–	–	–	–	–
	2 <sup>15</sup> / <sub>16</sub>	62,0	90,5	W15215X	13,7	–	–	–	–	–	–
	3	64,5	92,9	W15300X	13,8	3 - 2 <sup>1</sup> / <sub>8</sub>	W15300R202	–	–	–	–
	3 <sup>1</sup> / <sub>16</sub>	64,5	92,9	W15301X	13,8	–	–	–	–	–	–
	3 <sup>1</sup> / <sub>8</sub>	64,5	92,9	W15302X	13,8	3 <sup>1</sup> / <sub>8</sub> - 2 <sup>9</sup> / <sub>16</sub>	W15302R209	–	–	–	–
	3 <sup>3</sup> / <sub>16</sub>	69,5	96,6	W15303X	14,1	–	–	–	–	–	–
	3 <sup>1</sup> / <sub>4</sub>	69,5	96,6	W15304X	14,1	–	–	–	–	–	–
	3 <sup>5</sup> / <sub>16</sub>	69,5	96,6	W15305X	14,1	–	–	–	–	–	–
	3 <sup>3</sup> / <sub>8</sub>	69,5	96,6	W15306X	14,1	–	–	–	–	–	–
	3 <sup>7</sup> / <sub>16</sub>	69,5	96,6	W15307IX	14,1	–	–	–	–	–	–
	3 <sup>1</sup> / <sub>2</sub>	69,5	96,6	W15308X	14,1	3 <sup>1</sup> / <sub>2</sub> - 2 <sup>15</sup> / <sub>16</sub>	W15308R215	3 <sup>1</sup> / <sub>2</sub> - 2 <sup>3</sup> / <sub>4</sub>	W15308R212	–	–
	3 <sup>9</sup> / <sub>16</sub>	75,0	101,8	W15309X	14,6	–	–	–	–	–	–
	3 <sup>5</sup> / <sub>8</sub>	75,0	101,8	W15310X	14,6	–	–	–	–	–	–
	3 <sup>11</sup> / <sub>16</sub>	75,0	101,8	W15311X	14,6	–	–	–	–	–	–
	3 <sup>3</sup> / <sub>4</sub>	75,0	101,8	W15312X	14,6	3 <sup>3</sup> / <sub>4</sub> - 3 <sup>1</sup> / <sub>8</sub>	W15312R302	3 <sup>3</sup> / <sub>4</sub> - 2 <sup>15</sup> / <sub>16</sub>	W15312R215	–	–
	3 <sup>13</sup> / <sub>16</sub>	75,0	101,8	W15313X	14,5	–	–	–	–	–	–
	3 <sup>7</sup> / <sub>8</sub>	75,0	101,8	W15314X	14,5	3 <sup>7</sup> / <sub>8</sub> - 3 <sup>1</sup> / <sub>8</sub>	W15314R302	3 <sup>7</sup> / <sub>8</sub> - 2 <sup>15</sup> / <sub>16</sub>	W15314R215	–	–
	3 <sup>15</sup> / <sub>16</sub>	80,5	103,1	W15315X	14,8	–	–	–	–	–	–
	4	80,5	103,1	W15400X	14,8	–	–	–	–	–	–
	4 <sup>1</sup> / <sub>16</sub>	80,5	103,1	W15401IX	14,8	–	–	–	–	–	–
	4 <sup>1</sup> / <sub>8</sub>	80,5	103,1	W15402X	14,8	4 <sup>1</sup> / <sub>8</sub> - 3 <sup>1</sup> / <sub>2</sub>	W15402R308	4 <sup>1</sup> / <sub>8</sub> - 3 <sup>5</sup> / <sub>16</sub>	W15402R305	4 <sup>1</sup> / <sub>8</sub> - 3 <sup>1</sup> / <sub>4</sub>	W15402R304
	4 <sup>3</sup> / <sub>16</sub>	80,5	103,1	W15403IX	14,8	–	–	–	–	–	–
	4 <sup>1</sup> / <sub>4</sub>	80,5	103,1	W15404X	14,8	4 <sup>1</sup> / <sub>4</sub> - 3 <sup>1</sup> / <sub>2</sub>	W15404R308	4 <sup>1</sup> / <sub>4</sub> - 3 <sup>1</sup> / <sub>8</sub>	W15404R302	–	–
	4 <sup>5</sup> / <sub>16</sub>	87,5	114,8	W15405X	15,1	–	–	–	–	–	–
	4 <sup>3</sup> / <sub>8</sub>	87,5	114,8	W15406X	15,1	–	–	–	–	–	–
4 <sup>7</sup> / <sub>16</sub>	87,5	114,8	W15407X	15,1	–	–	–	–	–	–	
4 <sup>1</sup> / <sub>2</sub>	87,5	114,8	W15408IX	15,1	–	–	–	–	–	–	
4 <sup>9</sup> / <sub>16</sub>	87,5	114,8	W15409IX	15,1	–	–	–	–	–	–	
4 <sup>5</sup> / <sub>8</sub>	87,5	114,8	W15410IX	15,1	4 <sup>5</sup> / <sub>8</sub> - 3 <sup>15</sup> / <sub>16</sub>	W15410R315	4 <sup>5</sup> / <sub>8</sub> - 3 <sup>7</sup> / <sub>8</sub>	W15410R314	4 <sup>5</sup> / <sub>8</sub> - 3 <sup>3</sup> / <sub>4</sub>	W15410R312	
–	–	–	–	–	–	4 <sup>5</sup> / <sub>8</sub> - 3 <sup>1</sup> / <sub>2</sub>	W15410R308	–	–	–	
–	–	–	–	–	–	–	–	–	–	–	

<sup>1)</sup> See page 407 for table of hexagon sizes of bolts, nuts and related thread diameters.

# W22000X, Inch-Cassettes & Reducers

**ENERPAC** 



Nominal Torque at 690 bar:

**30.506 Nm**

Hexagon Range:

**2<sup>15</sup>/<sub>16</sub> - 5<sup>3</sup>/<sub>8</sub> inch**

Maximum Operating Pressure:

**690 bar**

**W**  
Series  
X-Edition

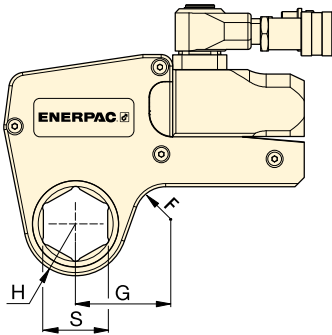


▼ **SELECTION CHART**

Drive Unit Model Number	Hexagon Size <sup>1)</sup> S (inch)	Nose Radius H (mm)	G (mm)	Model Nr. Cassette	Weight (kg)	Hexagon Reducer		Model Number Reducer		Hexagon Reducer		Model Number Reducer	
						(inch)	Model Number Reducer	(inch)	Model Number Reducer	(inch)	Model Number Reducer		
W22000X	2 <sup>15</sup> / <sub>16</sub>	67,0	102,1	W22215X	22,1	-	-	-	-	-	-	-	-
	3	67,0	102,1	W22300X	22,0	-	-	-	-	-	-	-	-
	3 <sup>1</sup> / <sub>16</sub>	67,0	102,1	W22301X	21,9	-	-	-	-	-	-	-	-
	3 <sup>1</sup> / <sub>8</sub>	67,0	102,1	W22302X	21,6	3 <sup>1</sup> / <sub>8</sub> - 2 <sup>3</sup> / <sub>8</sub>	W22302R206	3 <sup>1</sup> / <sub>8</sub> - 2 <sup>3</sup> / <sub>16</sub>	W22302R203	-	-	-	-
	3 <sup>3</sup> / <sub>16</sub>	72,4	107,4	W22303X	22,9	-	-	-	-	-	-	-	-
	3 <sup>1</sup> / <sub>4</sub>	72,4	107,4	W22304X	22,8	-	-	-	-	-	-	-	-
	3 <sup>5</sup> / <sub>16</sub>	72,4	107,4	W22305X	22,6	-	-	-	-	-	-	-	-
	3 <sup>3</sup> / <sub>8</sub>	72,4	107,4	W22306X	22,5	-	-	-	-	-	-	-	-
	3 <sup>7</sup> / <sub>16</sub>	72,4	107,4	W22307IX	22,8	-	-	-	-	-	-	-	-
	3 <sup>1</sup> / <sub>2</sub>	72,4	107,4	W22308X	22,2	3 <sup>1</sup> / <sub>2</sub> - 2 <sup>3</sup> / <sub>4</sub>	W22308R212	3 <sup>1</sup> / <sub>2</sub> - 2 <sup>9</sup> / <sub>16</sub>	W22308R209	3 <sup>1</sup> / <sub>2</sub> - 2 <sup>3</sup> / <sub>8</sub>	W22308R206	-	-
	3 <sup>9</sup> / <sub>16</sub>	77,9	113,0	W22309X	23,4	-	-	-	-	-	-	-	-
	3 <sup>5</sup> / <sub>8</sub>	77,9	113,0	W22310X	23,3	-	-	-	-	-	-	-	-
	3 <sup>11</sup> / <sub>16</sub>	77,9	113,0	W22311X	23,1	-	-	-	-	-	-	-	-
	3 <sup>3</sup> / <sub>4</sub>	77,9	113,0	W22312X	22,9	3 <sup>3</sup> / <sub>4</sub> - 2 <sup>15</sup> / <sub>16</sub>	W22312R215	-	-	-	-	-	-
	3 <sup>13</sup> / <sub>16</sub>	77,9	113,0	W22313X	22,8	-	-	-	-	-	-	-	-
	3 <sup>7</sup> / <sub>8</sub>	77,9	113,0	W22314X	22,6	3 <sup>7</sup> / <sub>8</sub> - 3 <sup>1</sup> / <sub>8</sub>	W22314R302	3 <sup>7</sup> / <sub>8</sub> - 2 <sup>15</sup> / <sub>16</sub>	W22314R215	3 <sup>7</sup> / <sub>8</sub> - 2 <sup>3</sup> / <sub>4</sub>	W22314R212	-	-
	3 <sup>15</sup> / <sub>16</sub>	85,1	119,9	W22315X	24,3	-	-	-	-	-	-	-	-
	4	85,1	119,9	W22400X	24,1	-	-	-	-	-	-	-	-
	4 <sup>1</sup> / <sub>16</sub>	85,1	119,9	W22401IX	24,0	-	-	-	-	-	-	-	-
	4 <sup>1</sup> / <sub>8</sub>	85,1	119,9	W22402X	23,6	-	-	-	-	-	-	-	-
	4 <sup>3</sup> / <sub>16</sub>	85,1	119,9	W22403IX	23,6	-	-	-	-	-	-	-	-
	4 <sup>1</sup> / <sub>4</sub>	85,1	119,9	W22404X	24,6	4 <sup>1</sup> / <sub>4</sub> - 3 <sup>1</sup> / <sub>2</sub>	W22404R308	4 <sup>1</sup> / <sub>4</sub> - 3 <sup>1</sup> / <sub>8</sub>	W22404R302	4 <sup>1</sup> / <sub>4</sub> - 2 <sup>15</sup> / <sub>16</sub>	W22404R215	-	-
	4 <sup>5</sup> / <sub>16</sub>	89,9	125,0	W22405X	24,6	-	-	-	-	-	-	-	-
	4 <sup>3</sup> / <sub>8</sub>	89,9	125,0	W22406X	24,5	-	-	-	-	-	-	-	-
	4 <sup>7</sup> / <sub>16</sub>	89,9	125,0	W22407X	24,3	-	-	-	-	-	-	-	-
	4 <sup>1</sup> / <sub>2</sub>	89,9	125,0	W22408IX	24,1	-	-	-	-	-	-	-	-
	4 <sup>9</sup> / <sub>16</sub>	89,9	125,0	W22409IX	23,9	-	-	-	-	-	-	-	-
	4 <sup>5</sup> / <sub>8</sub>	89,9	125,0	W22410IX	23,6	4 <sup>5</sup> / <sub>8</sub> - 3 <sup>7</sup> / <sub>8</sub>	W22410R314	4 <sup>5</sup> / <sub>8</sub> - 3 <sup>3</sup> / <sub>4</sub>	W22410R312	4 <sup>5</sup> / <sub>8</sub> - 3 <sup>1</sup> / <sub>2</sub>	W22410R308	-	-
	4 <sup>3</sup> / <sub>4</sub>	95,0	130,0	W22412X	24,7	-	-	-	-	-	-	-	-
	4 <sup>7</sup> / <sub>8</sub>	95,0	130,0	W22414X	24,3	-	-	-	-	-	-	-	-
	5	95,0	130,0	W22500X	23,8	5 - 4 <sup>1</sup> / <sub>4</sub>	W22500R404	5 - 4 <sup>1</sup> / <sub>8</sub>	W22500R402	5 - 3 <sup>7</sup> / <sub>8</sub>	W22500R314	-	-
	5 <sup>1</sup> / <sub>8</sub>	100,0	134,8	W22502X	25,0	-	-	-	-	-	-	-	-
5 <sup>3</sup> / <sub>16</sub>	100,0	134,8	W22503IX	24,8	-	-	-	-	-	-	-	-	
5 <sup>1</sup> / <sub>4</sub>	100,0	134,8	W22504IX	24,5	-	-	-	-	-	-	-	-	
5 <sup>3</sup> / <sub>8</sub>	100,0	134,8	W22506X	23,9	5 <sup>3</sup> / <sub>8</sub> - 4 <sup>3</sup> / <sub>8</sub>	W22506R410	5 <sup>3</sup> / <sub>8</sub> - 4 <sup>1</sup> / <sub>4</sub>	W22506R404	5 <sup>3</sup> / <sub>8</sub> - 4 <sup>1</sup> / <sub>8</sub>	W22506R402	-	-	
-	-	-	W22506X	23,9	5 <sup>3</sup> / <sub>8</sub> - 3 <sup>7</sup> / <sub>8</sub>	W22506R314	-	-	-	-	-	-	

<sup>1)</sup> See page 407 for table of hexagon sizes of bolts, nuts and related thread diameters.

# W35000X, Inch-Cassettes & Reducer Inserts



## ▼ SELECTION CHART

Drive Unit Model Number	Hexagon Size S	Nose Radius H	G	Model Nr. Cassette	Weight (kg)	Reducer	
						Hexagon Reducer (inch)	Model Number Reducer
W35000X	3 <sup>1</sup> / <sub>8</sub>	76,0	126,8	W35302X	32,8	3 <sup>1</sup> / <sub>8</sub> - 2	W35302R200
	3 <sup>3</sup> / <sub>16</sub>	76,0	126,8	W35303X	32,7	-	-
	3 <sup>1</sup> / <sub>4</sub>	76,0	126,8	W35304X	32,5	-	-
	3 <sup>5</sup> / <sub>16</sub>	76,0	126,8	W35305X	32,4	-	-
	3 <sup>3</sup> / <sub>8</sub>	76,0	126,8	W35306X	32,2	-	-
	3 <sup>7</sup> / <sub>16</sub>	76,0	126,8	W35307IX	32,0	-	-
	3 <sup>1</sup> / <sub>2</sub>	76,0	126,8	W35308X	31,8	3 <sup>1</sup> / <sub>2</sub> - 2 <sup>5</sup> / <sub>16</sub>	W35308R205
	3 <sup>9</sup> / <sub>16</sub>	81,5	132,5	W35309X	32,4	-	-
	3 <sup>5</sup> / <sub>8</sub>	81,5	132,5	W35310X	33,3	-	-
	3 <sup>11</sup> / <sub>16</sub>	81,5	132,5	W35311X	33,1	-	-
	3 <sup>3</sup> / <sub>4</sub>	81,5	132,5	W35312X	32,9	-	-
	3 <sup>13</sup> / <sub>16</sub>	81,5	132,5	W35313X	32,7	-	-
	3 <sup>7</sup> / <sub>8</sub>	81,5	132,5	W35314X	32,4	3 <sup>7</sup> / <sub>8</sub> - 2 <sup>11</sup> / <sub>16</sub>	W35314R211
	3 <sup>15</sup> / <sub>16</sub>	87,0	137,0	W35315X	34,1	3 <sup>15</sup> / <sub>16</sub> - 2 <sup>13</sup> / <sub>16</sub>	W35315R213
	4	87,0	137,0	W35400X	33,9	-	-
	4 <sup>1</sup> / <sub>16</sub>	87,0	137,0	W35401IX	33,7	-	-
	4 <sup>1</sup> / <sub>8</sub>	87,0	137,0	W35402X	33,5	-	-
	4 <sup>3</sup> / <sub>16</sub>	87,0	137,0	W35403IX	33,3	-	-
	4 <sup>1</sup> / <sub>4</sub>	87,0	137,0	W35404X	33,0	4 <sup>1</sup> / <sub>4</sub> - 3 <sup>1</sup> / <sub>16</sub>	W35404R301
	4 <sup>5</sup> / <sub>16</sub>	93,0	143,0	W35405X	34,9	-	-
	4 <sup>3</sup> / <sub>8</sub>	93,0	143,0	W35406X	34,7	-	-
	4 <sup>7</sup> / <sub>16</sub>	93,0	143,0	W35407X	34,5	-	-
	4 <sup>1</sup> / <sub>2</sub>	93,0	143,0	W35408IX	34,3	-	-
	4 <sup>9</sup> / <sub>16</sub>	93,0	143,0	W35409IX	34,1	-	-
	4 <sup>5</sup> / <sub>8</sub>	93,0	143,0	W35410IX	33,7	4 <sup>5</sup> / <sub>8</sub> - 3 <sup>5</sup> / <sub>8</sub>	W35410R310
	4 <sup>3</sup> / <sub>4</sub>	98,5	148,5	W35412X	35,6	4 <sup>3</sup> / <sub>4</sub> - 3 <sup>3</sup> / <sub>4</sub>	W35412R312
	4 <sup>7</sup> / <sub>8</sub>	98,5	148,5	W35414X	34,9	-	-
	5	98,5	148,5	W35500X	34,3	5 - 4	W35500R400
	5 <sup>1</sup> / <sub>8</sub>	103,0	153,0	W35502X	35,8	5 <sup>1</sup> / <sub>8</sub> - 4 <sup>1</sup> / <sub>8</sub>	W35502R402
	5 <sup>3</sup> / <sub>16</sub>	103,0	153,0	W35503IX	35,6	-	-
	5 <sup>1</sup> / <sub>4</sub>	103,0	153,0	W35504IX	35,2	-	-
	5 <sup>3</sup> / <sub>8</sub>	103,0	153,0	W35506X	34,6	5 <sup>3</sup> / <sub>8</sub> - 4 <sup>5</sup> / <sub>16</sub>	W35506R405
5 <sup>1</sup> / <sub>2</sub>	108,5	158,5	W35508X	36,2	-	-	
5 <sup>9</sup> / <sub>16</sub>	108,5	158,5	W35509X	36,0	-	-	
5 <sup>5</sup> / <sub>8</sub>	108,5	158,5	W35510X	35,6	-	-	
5 <sup>3</sup> / <sub>4</sub>	108,5	164,0	W35512X	34,9	5 <sup>3</sup> / <sub>4</sub> - 4 <sup>3</sup> / <sub>4</sub>	W35512R412	
5 <sup>7</sup> / <sub>8</sub>	114,0	164,0	W35514X	36,7	5 <sup>7</sup> / <sub>8</sub> - 4 <sup>7</sup> / <sub>8</sub>	W35514R414	
6	114,0	164,0	W35600X	36,1	-	-	
6 <sup>1</sup> / <sub>8</sub>	114,0	164,0	W35602X	35,3	6 <sup>1</sup> / <sub>8</sub> - 5 <sup>1</sup> / <sub>8</sub>	W35602R502	

## W Series X-Edition



Nominal Torque at 690 bar:

**47.454 Nm**

Hexagon Range:

**3<sup>1</sup>/<sub>8</sub> - 6<sup>1</sup>/<sub>8</sub> inch**

Maximum Operating Pressure:

**690 bar**



### Hexagon Bolt and Nut Sizes

See the table for hexagon sizes of bolts, nuts and related thread diameters.

Page: 407

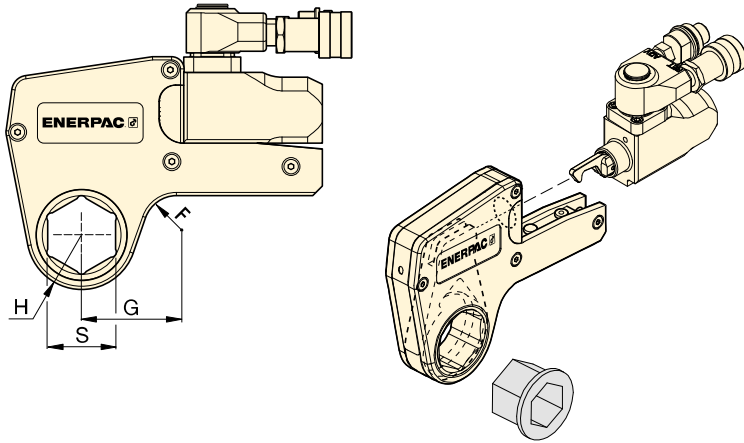


### Back-Up Spanners

To be used to stop the back nut from turning during make up or break out. Two hexagon sizes in one tool.

Page: 217





## W Series X-Edition







Hexagon Range:

**24 - 105 mm**

Maximum Operating Pressure:

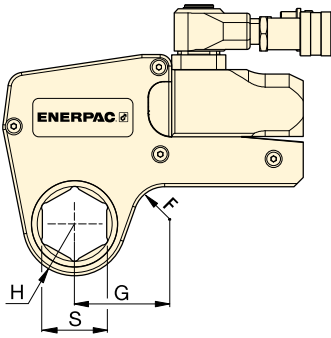
**690 bar**

### ▼ SELECTION CHART

Drive Unit Model Number	Hexagon Size <sup>1)</sup>	Nose Radius	Dim.	Model Nr. Cassette							
						Hexagon Reducer (mm)	Model Number Reducer	Hexagon Reducer (mm)	Model Number Reducer	Hexagon Reducer (mm)	Model Number Reducer
<b>W2000X</b> (2766 Nm)	<b>30</b>	31,0	54	<b>W2103X</b>	2,1	–	–	–	–	–	–
	<b>32</b>	31,0	54	<b>W2104X</b>	2,1	–	–	–	–	–	–
	<b>36</b>	31,0	54	<b>W2107X</b>	2,1	–	–	–	–	–	–
	<b>38</b>	33,5	58	<b>W2108X</b>	2,2	–	–	–	–	–	–
	<b>41</b>	33,5	58	<b>W2110X</b>	2,2	41 - 32	<b>W2110R104</b>	41 - 30	<b>W2110R103</b>	41 - 24	<b>W2110R024M</b>
	<b>46</b>	33,5	61	<b>W2113X</b>	2,2	46 - 36	<b>W2113R107</b>	46 - 32	<b>W2113R104</b>	–	–
	<b>50</b>	39,0	63	<b>W2200X</b>	2,2	50 - 41	<b>W2200R110</b>	50 - 36	<b>W2200R107</b>	–	–
	<b>55</b>	41,8	69	<b>W2203X</b>	2,3	55 - 46	<b>W2203R113</b>	55 - 41	<b>W2203R110</b>	55 - 36	<b>W2203R107</b>
	<b>60</b>	44,5	65	<b>W2206X</b>	2,2	60 - 50	<b>W2206R200</b>	60 - 46	<b>W2206R113</b>	60 - 41	<b>W2206R110</b>
	–	–	–	–	–	60 - 36	<b>W2206R107</b>	–	–	–	–
<b>W4000X</b> (5661 Nm)	<b>36</b>	37,0	61	<b>W4107X</b>	3,7	–	–	–	–	–	–
	<b>41</b>	37,0	61	<b>W4110X</b>	3,7	–	–	–	–	–	–
	<b>46</b>	39,5	64	<b>W4113X</b>	3,8	–	–	–	–	–	–
	<b>50</b>	41,5	67	<b>W4200X</b>	3,9	50 - 36	<b>W4200R107</b>	–	–	–	–
	<b>55</b>	44,0	73	<b>W4203X</b>	4,0	55 - 41	<b>W4203R110</b>	55 - 36	<b>W4203R107</b>	55 - 32	<b>W4203R104</b>
	<b>60</b>	46,5	71	<b>W4206X</b>	4,1	60 - 50	<b>W4206R200</b>	60 - 46	<b>W4206R113</b>	60 - 36	<b>W4206R107</b>
	<b>65</b>	49,5	76	<b>W4209X</b>	4,1	65 - 55	<b>W4209R203</b>	65 - 50	<b>W4209R200</b>	65 - 46	<b>W4209R113</b>
	<b>70</b>	52,5	78	<b>W4212X</b>	4,2	70 - 60	<b>W4212R206</b>	70 - 55	<b>W4212R203</b>	–	–
	<b>75</b>	55,3	82	<b>W4215X</b>	4,3	75 - 65	<b>W4215R209</b>	75 - 60	<b>W4215R206</b>	–	–
	–	–	–	<b>W4215X</b>	–	75 - 55	<b>W4215R203</b>	75 - 50	<b>W4215R200</b>	–	–
	<b>80</b>	58,5	84	<b>W4302X</b>	–	–	–	80 - 70	<b>W4302R212</b>	80 - 65	<b>W4302R209</b>
	–	–	–	<b>W4302X</b>	–	80 - 55	<b>W4302R203</b>	80 - 50	<b>W4302R200</b>	–	–
<b>W8000X</b> (11.484 Nm)	<b>85</b>	62,0	86	<b>W4085MX</b>	4,5	–	–	–	–	–	–
	<b>50</b>	45,0	78	<b>W8200X</b>	8,1	–	–	–	–	–	–
	<b>55</b>	48,0	80	<b>W8203X</b>	8,1	–	–	–	–	–	–
	<b>60</b>	51,0	83	<b>W8206X</b>	8,1	–	–	–	–	–	–
	<b>65</b>	52,5	85	<b>W8209X</b>	8,1	65 - 50	<b>W8209R200</b>	–	–	–	–
	<b>70</b>	56,0	85	<b>W8212X</b>	7,9	70 - 55	<b>W8212R203</b>	–	–	–	–
	<b>75</b>	58,0	85	<b>W8215X</b>	7,9	75 - 60	<b>W8215R206</b>	75 - 55	<b>W8215R203</b>	–	–
	<b>80</b>	60,5	90	<b>W8302X</b>	8	80 - 65	<b>W8302R209</b>	80 - 60	<b>W8302R206</b>	80 - 55	<b>W8302R203</b>
	–	–	–	–	–	80 - 50	<b>W8302R200</b>	–	–	–	–
	<b>85</b>	66,0	92	<b>W8085MX</b>	8,2	85 - 70	<b>W8085R070M</b>	85 - 65	<b>W8085R065M</b>	85 - 60	<b>W8085R060M</b>
	–	–	–	–	–	85 - 55	<b>W8085R055M</b>	–	–	–	–
	<b>90</b>	74,0	103	<b>W8090MX</b>	8,8	90 - 75	<b>W8090R075M</b>	–	–	–	–
<b>95</b>	74,0	103	<b>W8312X</b>	8,8	95 - 80	<b>W8312R302</b>	95 - 75	<b>W8312R215</b>	–	–	
<b>100</b>	79,5	110	<b>W8315X</b>	9,3	–	–	–	–	–	–	
<b>105</b>	79,5	110	<b>W8402X</b>	9,3	–	–	–	–	–	–	

<sup>1)</sup> See page 407 for table of hexagon sizes of bolts, nuts and related thread diameters.

# W-Series, Metric Cassettes and Reducers



Hexagon Range:  
**50 - 155 mm**

Maximum Operating Pressure:  
**690 bar**

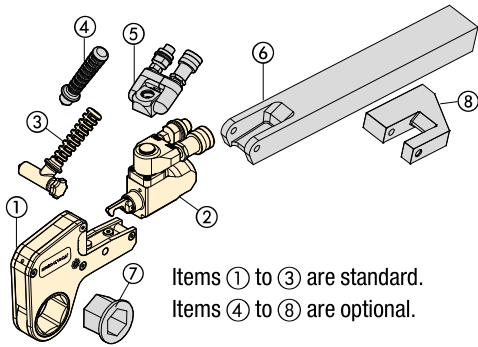
**W**  
Series  
X-Edition



## ▼ SELECTION CHART

Drive Unit Model Number	Hexagon Size <sup>1)</sup>	Nose Radius	Dim.	Model Nr. Cassette	Weight (kg)	Hexagon Reducer		Hexagon Reducer	
						Hexagon Reducer (mm)	Model Number Reducer	Hexagon Reducer (mm)	Model Number Reducer
<b>W15000X</b> (20.785 Nm)	65	59,0	89	W15209X	13,6	-	-	-	-
	70	59,0	89	W15212X	13,6	-	-	-	-
	75	62,0	91	W15215X	13,7	-	-	-	-
	80	64,5	93	W15302X	13,8	80 - 65	W15302R209	-	-
	85	69,5	97	W15085MX	14,1	85 - 70	W15085R070M	-	-
	90	75,0	102	W15090MX	14,5	90 - 75	W15090R075M	-	-
	95	75,0	102	W15312X	14,6	95 - 80	W15312R302	95 - 75	W15312R215
	100	80,5	103	W15315X	14,8	-	-	-	-
	105	80,5	103	W15402X	14,8	105 - 90	W15402R090M	-	-
	110	87,5	115	W15405X	15,1	110 - 95	W15110R095M	-	-
	115	87,5	115	W15115MX	15,1	115 - 100	W15115R100M	-	-
<b>W22000X</b> (30.506 Nm)	75	67,0	102	W22215X	22,0	-	-	-	-
	80	67,0	102	W22302X	21,6	80-60	W22302R206	80 - 55	W22302R203
	85	73,0	107	W22085MX	22,5	85-65	W22085MR209	85 - 60	W22085MR206
	90	77,9	113	W22090MX	23,4	90-70	W22090MR212	90 - 60	W22090MR206
	95	77,9	113	W22312X	22,9	95-75	W22312R215	-	-
	100	85,1	120	W22315X	24,3	-	-	-	-
	105	85,1	120	W22402X	23,4	-	-	-	-
	110	89,9	125	W22405X	24,6	-	-	-	-
	115	89,9	125	W22115MX	24,0	-	-	-	-
	120	95,0	130	W22412X	24,7	-	-	-	-
	123	95,0	130	W22123MX	24,4	-	-	-	-
<b>W35000X</b> (47.454 Nm)	130	100,0	135	W22502X	25,0	-	-	-	-
	135	100,0	135	W22506X	23,9	135 - 105	W22506R402	-	-
	80	76,0	129	W35302X	32,8	80 - 50	W35302R200	-	-
	85	76,0	129	W35085MX	32,3	-	-	-	-
	90	81,5	135	W35090MX	33,5	90 - 60	W35090R206	-	-
	95	81,5	135	W35312X	32,9	-	-	-	-
	100	87,0	139	W35315X	34,1	-	-	-	-
	105	87,0	139	W35402X	33,5	-	-	-	-
	110	93,0	146	W35405X	34,9	110 - 85	W35405R085M	-	-
	115	93,0	146	W35115MX	34,2	-	-	-	-
	120	100,0	153	W35412X	35,6	120 - 95	W35412R312	-	-
	123	100,0	153	W35123MX	35,0	-	-	-	-
	130	103,0	160	W35502X	35,8	130 - 105	W35502R402	-	-
	135	103,0	160	W35506X	34,6	135 - 110	W35506R405	-	-
	140	110,0	163	W35508X	36,2	140 - 115	W35508R115M	-	-
	145	110,0	163	W35512X	34,9	145 - 120	W35512R412	-	-
	150	114,0	164	W35514X	36,7	-	-	-	-
151	114,0	164	W35151MX	36,5	-	-	-	-	
155	114,0	164	W35602X	35,3	155 - 130	W35602R502	-	-	

<sup>1)</sup> See page 407 for table of hexagon sizes of bolts, nuts and related thread diameters.



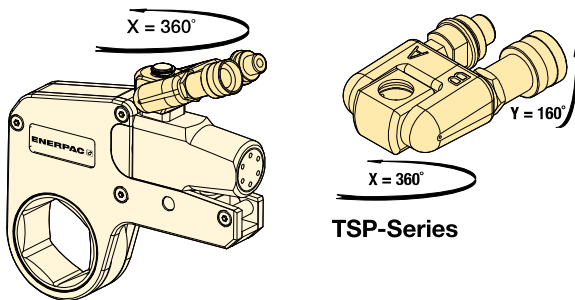
- ① Hexagon Cassette
- ② Drive Unit
- ③ Angled Positioning Handle
- ④ Straight Positioning Handle
- ⑤ Pro Series Swivel
- ⑥ Extended Reaction Arm
- ⑦ Reducer Insert
- ⑧ Reaction Paddle

Items ① to ③ are standard.  
Items ④ to ⑧ are optional.

## TSP WTE WRP Series



### TSP-Series, Pro Series Swivel

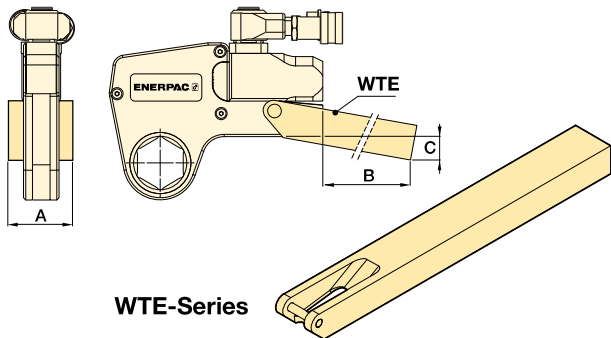


- Robust interlocking design
- 360° X-axis and 160° Y-axis rotation
- Increases tool fit in restricted access areas
- Simplifies hose placement
- Includes male and female couplers.

For Torque Wrench Model Number	Model Number <sup>1)</sup>	Maximum Pressure (bar)	Weight (kg)
W2000X, W4000X, W8000X, W15000X, W22000X, W35000X	TSP300	690	0,2

<sup>1)</sup> To order a W-Series (X-edition) drive unit fitted with a TSP300 tilt and swivel manifold, insert a "P" prior to the "X" in the tool model number, example: **W2000PX**. TSP300 is designed for X-Edition tools only, and is not compatible with standard edition tools. For replacement components for existing tools, refer to repair sheet on [www.enerpac.com](http://www.enerpac.com)

### WTE-Series, Extended Reaction Arm

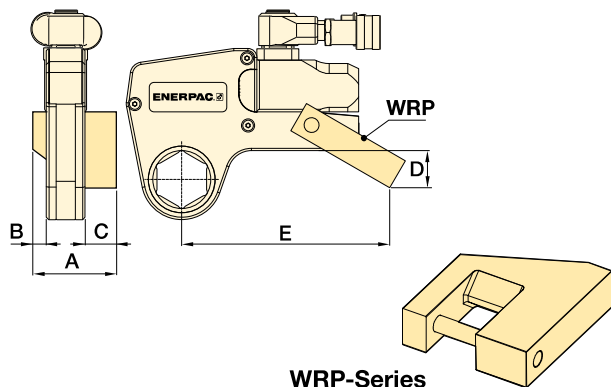


- Full torque rated
- Increases tool fit in restricted access areas.

For Torque Wrench Model Number	Model Number	Dimensions (mm)			Weight (kg) *
		A	B	C	
W2000X	WTE20	56	398	76	2,6
W4000X	WTE40	66	436	74	4,6
W8000X	WTE80	85	449	55	7,6
W15000X	WTE150	102	498	72	12,0
W22000X	WTE220	114	524	77	17,3
W35000X	WTE350	127	419	133	17,8

\* Weights indicated are for the accessories only and do not include the wrench.

### WRP-Series, Low Profile Reaction Paddles



- Lightweight interchangeable design
- Allows for offset reaction when in-line reaction is not available.

For Torque Wrench Model Nr.	Model Number	Dimensions (mm)					Weight (kg) *
		A	B	C	D	E	
W2000X	WRP20	84	16	35	45	148	0,4
W4000X	WRP40	109	21	47	59	190	0,8
W8000X	WRP80	137	26	57	69	223	2,0
W15000X	WRP150	165	32	69	87	257	3,9
W22000X	WRP220	207	37	91	134	317	7,2
W35000X	WRP350	225	42	91	182	367	10,6

\* Weights indicated are for the accessories only and do not include the wrench.